

**GROVE**

STAUKISTE 2,7M

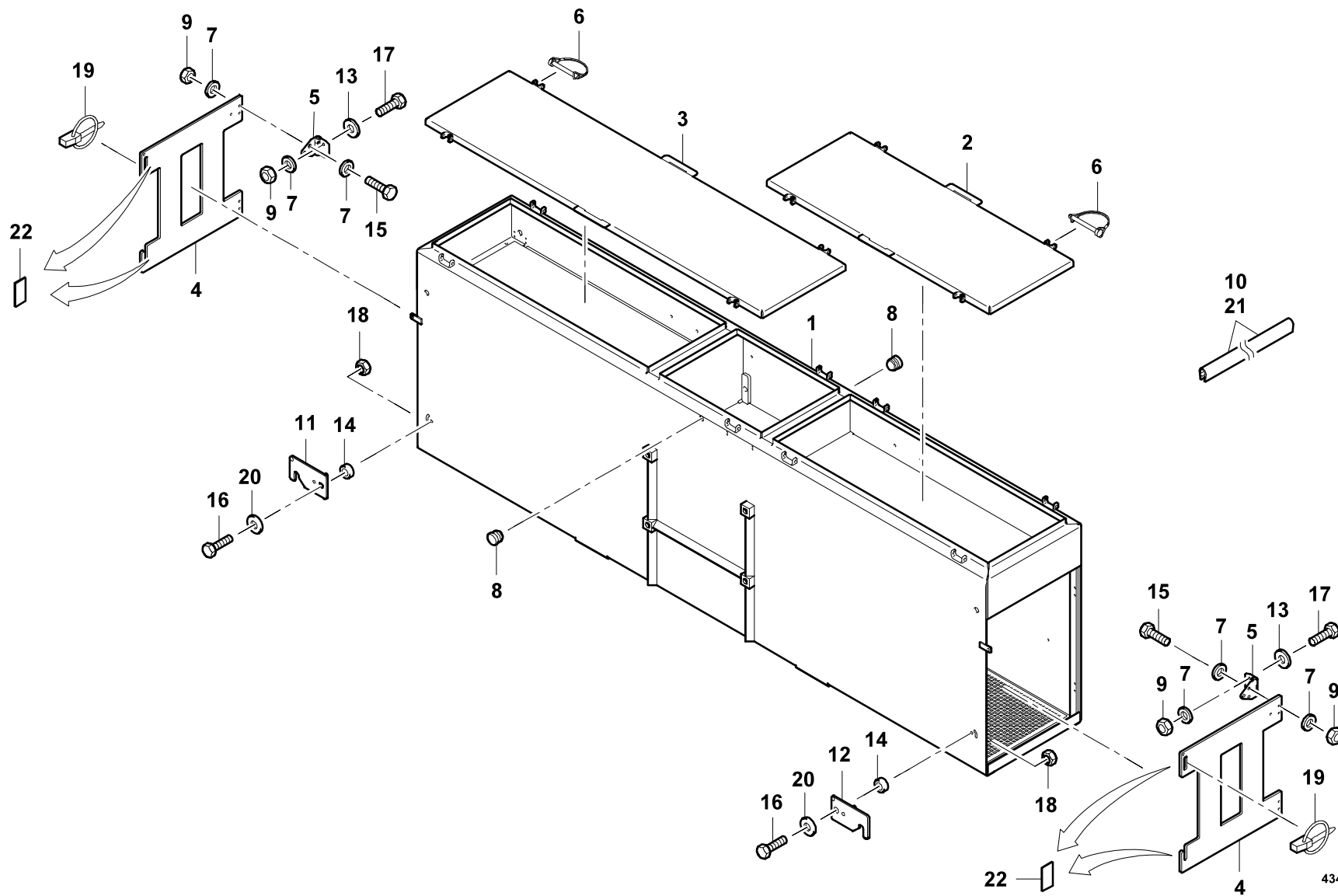
STORAGE COMPARTMENT BOX 2,7M

BILDTADEL  
PICTORIAL DISPLAY

08.20

**4340543-ETL A**

1/1

**GMK 3060-2  
CAB 2020**

4340543-A-BL01-0820-0000